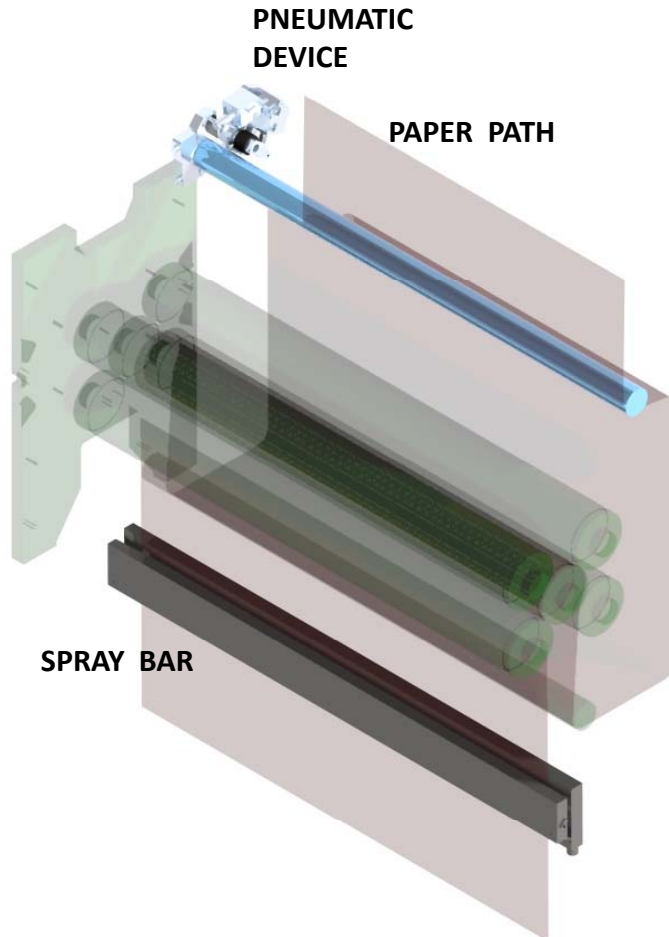




IDLE ROLLER CLEANING DETAILS

IDLE ROLLER CLEANING SYSTEM



Elettra has developed a new device, which perfectly clean your idle rollers using solvent and paper.

CLEANING PROCESS

The spray bar applies solvent to the web .

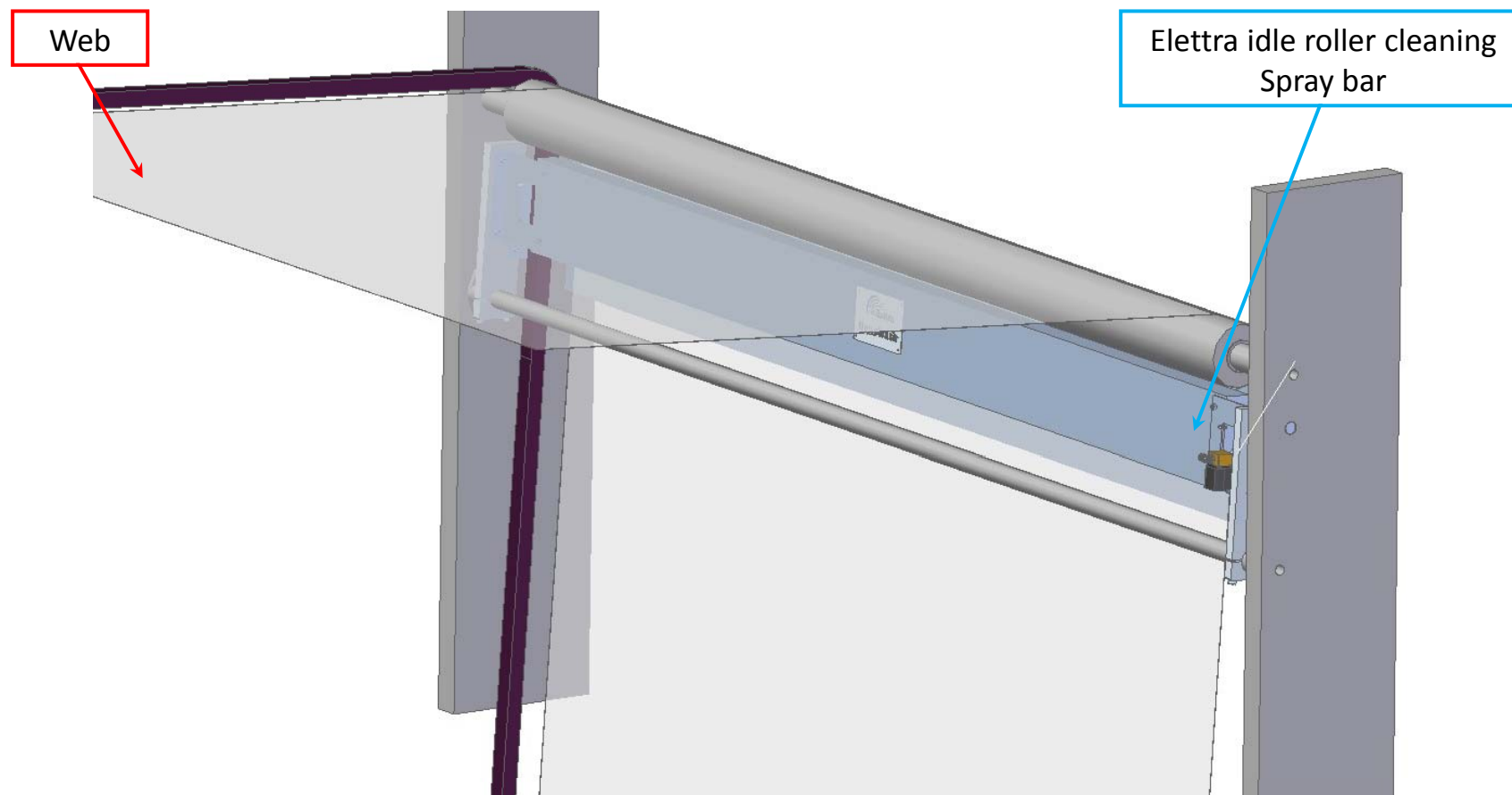
The brake devices reverse the rotation of the idle rollers against the web direction, thus creating a friction that enables the web to remove the ink and paper dust from the idler rollers.

PNEUMATIC

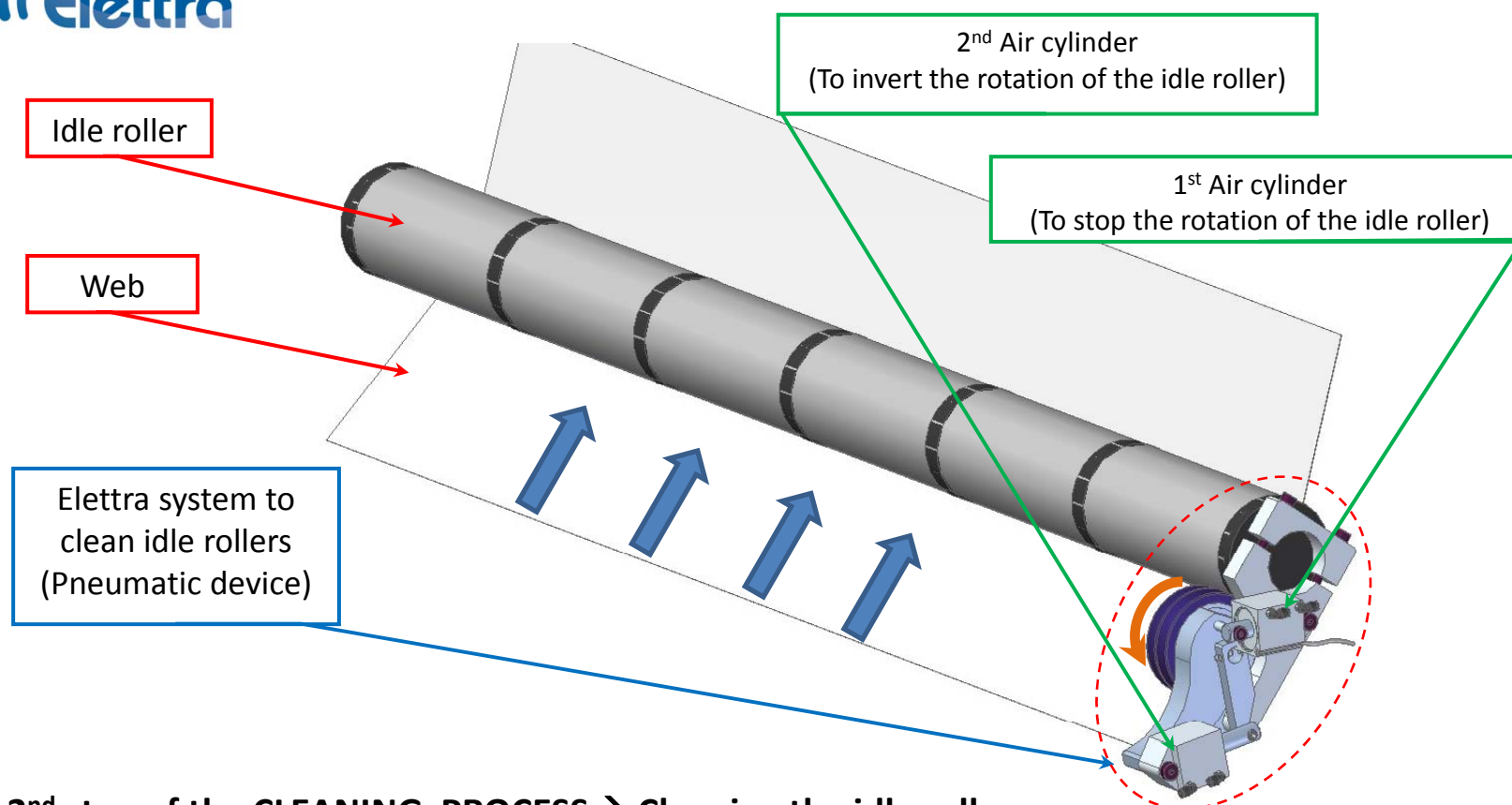
&

**EASY TO HANDLE
AND USE !!**





1st step of the CLEANING PROCESS → Wet with solvent the web
The Elettra idle roller cleaning spray bar applies solvent to the web



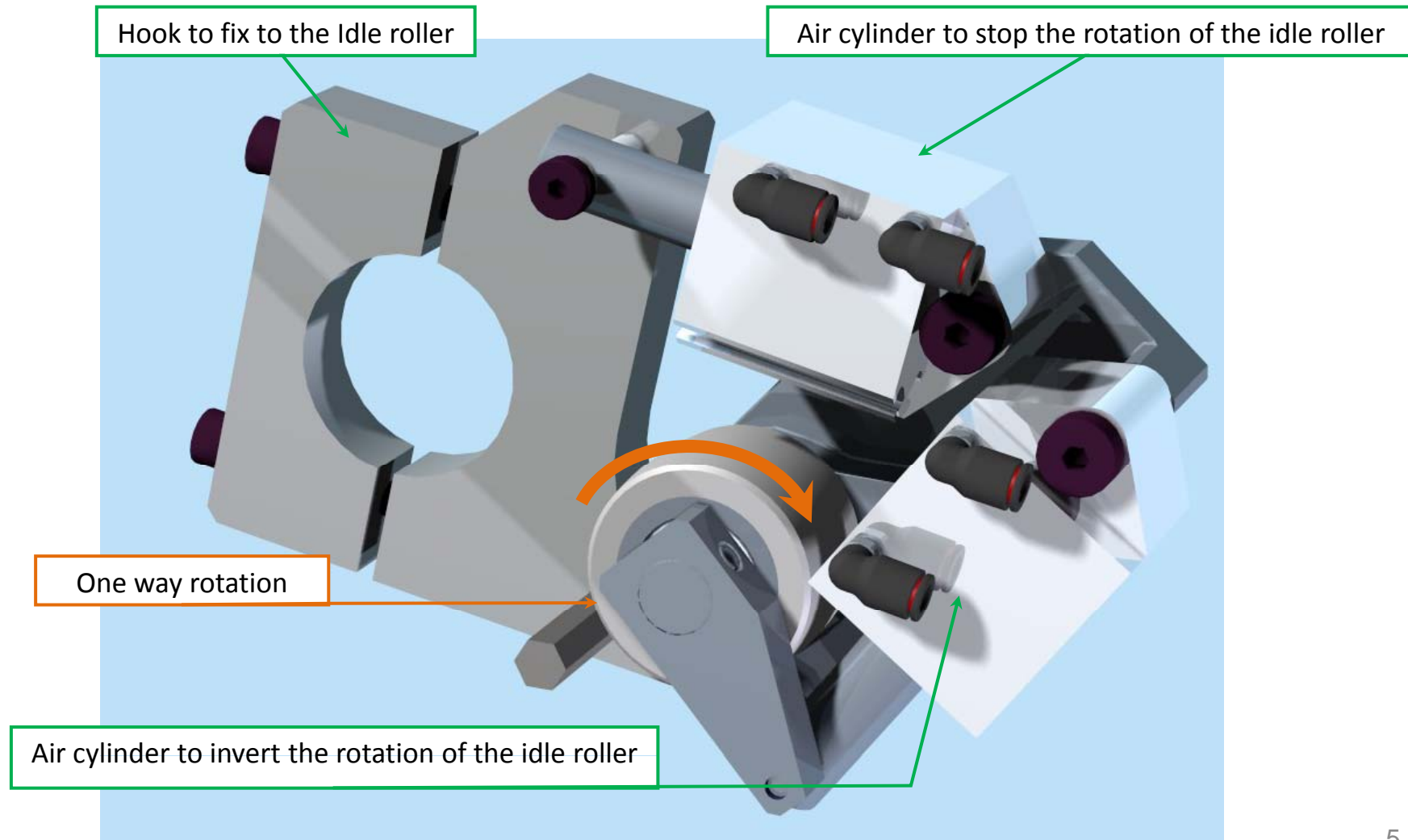
2nd step of the CLEANING PROCESS → Cleaning the idle roller

The innovative Elettra system to clean the idle rollers consist of two air cylinders:

- The 1st air cylinder has the function of the brake to stop the rotation of the idle roller.
- The 2nd air cylinder has the function to invert step by step the rotation of the idle roller respect the direction of the web. This method create a creating a friction that enables the wet web with solvent to remove the ink and paper dust from the idler roller.

Details of Elettra system to clean idle rollers (Pneumatic device)

Note: The following image refers as an example





Thank you very much
for your attention...



ELETTRA S.R.L.
Via De Gasperi, 2
23887 Olgiate Molgora – Italy
E-mail: elettra.commerciale@elettra.lc.it
Web: www.elettra.lc.it